

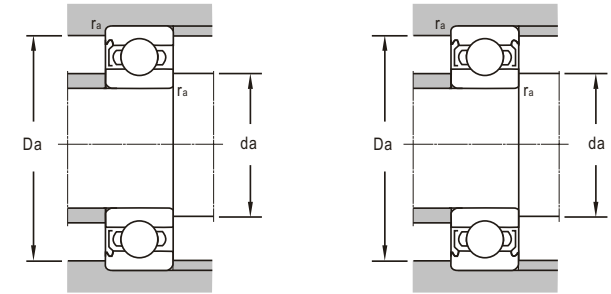
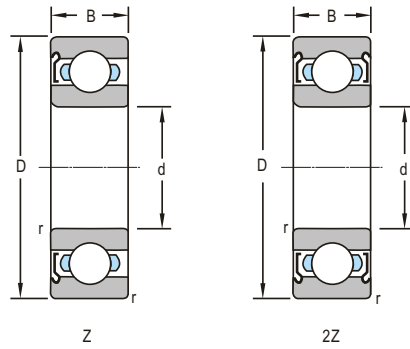
d 10~25mm

| Boundary Dimensions | | | | Basic Load Ratings | | Limiting Speeds | |
|---------------------|----------|----------|------------------------|---------------------|--------------------------------|-----------------|-------|
| <i>d</i> | <i>D</i> | <i>B</i> | <i>r_{min}</i> | Dynamic <i>C</i> | Static <i>C₀</i> | Grease | Oil |
| mm | | | | kN | | r/min | |
| 10 | 30 | 9 | 0.6 | 6.6 | 3.2 | 24000 | 30000 |
| | 30 | 9 | 0.6 | 6.6 | 3.2 | 24000 | 30000 |
| | 35 | 11 | 0.6 | 8.06 | 3.4 | 20000 | 26000 |
| | 35 | 11 | 0.6 | 8.06 | 3.4 | 20000 | 26000 |
| 12 | 28 | 8 | 0.3 | 4.98 | 2.39 | 26000 | 32000 |
| | 28 | 8 | 0.3 | 4.98 | 2.39 | 26000 | 32000 |
| | 32 | 10 | 0.6 | 6.89 | 3.1 | 22000 | 28000 |
| | 32 | 10 | 0.6 | 6.89 | 3.1 | 22000 | 28000 |
| | 37 | 12 | 1 | 9.75 | 4.15 | 19000 | 24000 |
| | 37 | 12 | 1 | 9.75 | 4.15 | 19000 | 24000 |
| 15 | 28 | 7 | 0.3 | 4.31 | 1.94 | 24000 | 30000 |
| | 32 | 9 | 0.3 | 5.48 | 2.8 | 22000 | 28000 |
| | 32 | 9 | 0.3 | 5.48 | 2.8 | 22000 | 28000 |
| | 35 | 11 | 0.6 | 7.8 | 3.75 | 19000 | 24000 |
| | 35 | 11 | 0.6 | 7.8 | 3.75 | 19000 | 24000 |
| | 42 | 13 | 1 | 11.4 | 5.4 | 17000 | 20000 |
| | 42 | 13 | 1 | 11.4 | 5.4 | 17000 | 20000 |
| 17 | 35 | 10 | 0.3 | 5.93 | 3.18 | 19000 | 24000 |
| | 35 | 10 | 0.3 | 5.93 | 3.18 | 19000 | 24000 |
| | 40 | 12 | 0.6 | 9.56 | 4.75 | 17000 | 20000 |
| | 40 | 12 | 0.6 | 9.56 | 4.75 | 17000 | 20000 |
| | 47 | 14 | 1 | 13.5 | 6.5 | 15500 | 18000 |
| | 47 | 14 | 1 | 13.5 | 6.5 | 15500 | 18000 |
| 20 | 37 | 9 | 0.3 | 6.38 | 3.68 | 18000 | 22000 |
| | 37 | 9 | 0.3 | 6.38 | 3.68 | 18000 | 22000 |
| | 42 | 12 | 0.6 | 9.17 | 4.9 | 17000 | 20000 |
| | 42 | 12 | 0.6 | 9.17 | 4.9 | 17000 | 20000 |
| | 47 | 14 | 1 | 12.7 | 6.5 | 15000 | 18000 |
| | 47 | 14 | 1 | 12.7 | 6.5 | 15000 | 18000 |
| | 52 | 15 | 1.1 | 15.9 | 7.8 | 13000 | 16000 |
| | 52 | 15 | 1.1 | 15.9 | 7.8 | 13000 | 16000 |
| | 52 | 15 | 1.1 | 15.9 | 7.8 | 13000 | 16000 |
| 22 | 47 | 12 | 0.6 | 7.74 | 4.96 | 15500 | 18500 |
| | 47 | 12 | 0.6 | 11 | 6.42 | 15000 | 18000 |
| 25 | 37 | 7 | 0.3 | 4.27 | 2.63 | 16500 | 19500 |
| | 37 | 7 | 0.3 | 4.27 | 2.63 | 16500 | 19500 |

| Bearing Designations | | Mounting Dimensions | | | Mass |
|----------------------|----------|-------------------------|-------------------------|-------------------------|--------|
| Present | Original | <i>D_{amin}</i> | <i>D_{amax}</i> | <i>r_{amax}</i> | |
| | | mm | | | kg |
| 6200E-Z | 60200E | 14 | 26 | 0.6 | 0.0304 |
| 6200E-2Z | 80200E | 14 | 26 | 0.6 | 0.0296 |
| 6300E-Z | 60300E | 14 | 31 | 0.6 | 0.051 |
| 6300E-2Z | 80300E | 14 | 31 | 0.6 | 0.0486 |
| 6001E-Z | 60101E | 14 | 26 | 0.3 | 0.02 |
| 6001E-2Z | 80101E | 14 | 26 | 0.3 | 0.0194 |
| 6201E-Z | 60201E | 16 | 28 | 0.6 | 0.0346 |
| 6201E-2Z | 80201E | 16 | 28 | 0.6 | 0.0339 |
| 6301E-Z | 60301E | 17 | 32 | 1 | 0.0572 |
| 6301E-2Z | 80301E | 17 | 32 | 1 | 0.0565 |
| 61902E-2Z | | 17 | 26 | 0.3 | 0.0139 |
| 6002E-Z | 60102E | 17 | 30 | 0.3 | 0.0297 |
| 6002E-2Z | 80102E | 17 | 30 | 0.3 | 0.0289 |
| 6202E-Z | 60202E | 19 | 31 | 0.6 | 0.0412 |
| 6202E-2Z | 80202E | 19 | 31 | 0.6 | 0.0395 |
| 6302E-Z | 60302E | 20 | 37 | 1 | 0.0803 |
| 6302E-2Z | 80302E | 20 | 37 | 1 | 0.0802 |
| 6003E-Z | 60103E | 19 | 33 | 0.3 | 0.0374 |
| 6003E-2Z | 80103E | 19 | 33 | 0.3 | 0.0366 |
| 6203E-Z | 60203E | 21 | 36 | 0.6 | 0.0657 |
| 6203E-2Z | 80203E | 21 | 36 | 0.6 | 0.0647 |
| 6303E-Z | 60303 | 22 | 42 | 1 | 0.0109 |
| 6303E-2Z | 80303 | 22 | 42 | 1 | 0.0108 |
| 61904E-Z | | 22.4 | 34.8 | 0.3 | 0.036 |
| 61904E-2Z | | 22.4 | 34.8 | 0.3 | 0.0359 |
| 6004E-Z | 60104E | 24 | 38 | 0.6 | 0.0677 |
| 6004E-2Z | 80104E | 24 | 38 | 0.6 | 0.0667 |
| 6204E-Z | 60204E | 25 | 42 | 1 | 0.104 |
| 6204E-2Z | 80204E | 25 | 42 | 1 | 0.103 |
| 6304E-Z | 60304E | 26.5 | 45.5 | 1 | 0.142 |
| 6304E-2Z | 80304E | 26.5 | 45.5 | 1 | 0.14 |
| 62/22 EX1-Z | | 26 | 43 | 0.6 | 0.0441 |
| 60/22 EX1-Z | | | | | 0.0857 |
| 61805-Z | | 27 | 35 | 0.3 | 0.0222 |
| 61805-2Z | | 27 | 35 | 0.3 | 0.0222 |



with shield



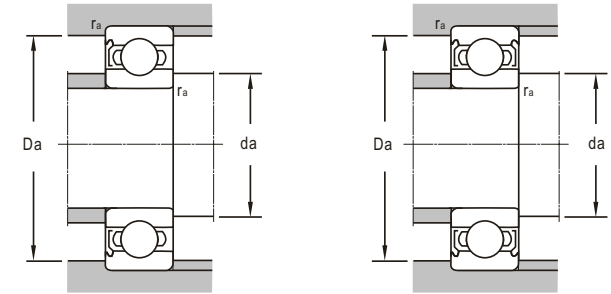
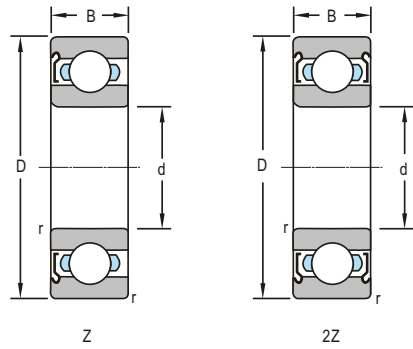
d 25~45mm

| Boundary Dimensions | | | | Basic Load Ratings | | Limiting Speeds | |
|---------------------|----------|----------|------------------------|---------------------|--------------------------------|-----------------|-------|
| <i>d</i> | <i>D</i> | <i>B</i> | <i>r_{min}</i> | Dynamic <i>C</i> | Static <i>C₀</i> | Grease | Oil |
| mm | | | | kN | | r/min | |
| 25 | 47 | 12 | 0.6 | 11 | 6.42 | 15000 | 18000 |
| | 47 | 12 | 0.6 | 11 | 6.42 | 15000 | 18000 |
| | 47 | 12 | 1 | 11 | 6.42 | 15000 | 18000 |
| | 52 | 15 | 1 | 14.5 | 8.3 | 12000 | 15000 |
| | 52 | 15 | 1 | 14.5 | 8.3 | 12000 | 15000 |
| | 62 | 17 | 1.1 | 22.5 | 11.6 | 11000 | 14000 |
| 62 | 17 | 1.1 | 22.5 | 11.6 | 11000 | 14000 | |
| 30 | 42 | 7 | 0.3 | 4.4 | 3 | 15000 | 18000 |
| | 42 | 7 | 0.3 | 4.4 | 3 | 15000 | 18000 |
| | 55 | 13 | 1 | 13.5 | 8.15 | 12000 | 15000 |
| | 55 | 13 | 1 | 13.5 | 8.15 | 12000 | 15000 |
| | 62 | 16 | 1 | 19.5 | 11.2 | 10000 | 13000 |
| | 62 | 16 | 1 | 19.5 | 11.2 | 10000 | 13000 |
| | 62 | 16 | 1 | 19.5 | 11.2 | 10000 | 13000 |
| | 72 | 19 | 1.1 | 28.1 | 16 | 9000 | 11000 |
| | 72 | 19 | 1.1 | 28.1 | 16 | 9000 | 11000 |
| | 35 | 62 | 14 | 1 | 16 | 10.3 | 10000 |
| 62 | | 14 | 1 | 16 | 10.3 | 10000 | 13000 |
| 72 | | 17 | 1.1 | 25.5 | 15.3 | 9000 | 11000 |
| 72 | | 17 | 1.1 | 25.5 | 15.3 | 9000 | 11000 |
| 80 | | 21 | 1.5 | 35.7 | 19.5 | 8500 | 10000 |
| 80 | | 21 | 1.5 | 35.7 | 19.5 | 8500 | 10000 |
| 40 | 62 | 12 | 0.6 | 13.5 | 9.75 | 10000 | 13000 |
| | 62 | 12 | 0.6 | 13.5 | 9.75 | 10000 | 13000 |
| | 68 | 15 | 1 | 16.8 | 11.7 | 9200 | 11600 |
| | 68 | 15 | 1 | 16.8 | 11.7 | 9200 | 11600 |
| | 80 | 18 | 1.1 | 32 | 18.6 | 8200 | 9700 |
| | 80 | 18 | 1.1 | 32 | 18.6 | 8200 | 9700 |
| | 90 | 23 | 1.5 | 40.8 | 24 | 5500 | |
| | 90 | 23 | 1.5 | 40.8 | 24 | 5500 | |
| | 90 | 23 | 1.5 | 41.5 | 24.3 | 7300 | 8700 |
| | 90 | 23 | 1.5 | 41.5 | 24.3 | 7300 | 8700 |
| 45 | 75 | 16 | 1 | 21 | 14.9 | 8300 | 10500 |
| | 75 | 16 | 1 | 21 | 14.9 | 8300 | 10500 |
| | 85 | 19 | 1.1 | 33.2 | 21 | 7500 | 8700 |
| | 85 | 19 | 1.1 | 33.2 | 21 | 7500 | 8700 |
| | 85 | 19 | 1.1 | 31.7 | 20.8 | 7500 | 8700 |

| Bearing Designations | | Mounting Dimensions | | | Mass |
|----------------------|----------|-------------------------|-------------------------|-------------------------|--------|
| Present | Original | <i>D_{amin}</i> | <i>D_{amax}</i> | <i>r_{amax}</i> | |
| | | mm | | | kg |
| 6005 E-Z | 60105E | 29 | 43 | 0.6 | 0.0753 |
| 6005 E-2Z | 60105E | 29 | 43 | 0.6 | 0.0766 |
| 6005 WB1-Z | 260105K | 29 | 43 | 0.6 | 0.0809 |
| 6205 E-Z | 60205E | 30 | 47 | 1 | 0.129 |
| 6205 E-2Z | 80205E | 30 | 47 | 1 | 0.127 |
| 6305 E-Z | 60305E | 31.5 | 55.5 | 1 | 0.219 |
| 6305 E-2Z | 80305E | 31.5 | 55.5 | 1 | 0.219 |
| 61806-Z | | 32 | 40 | 0.3 | 0.0256 |
| 61806-2Z | | 32 | 40 | 0.3 | 0.0255 |
| 6006 E-Z | 60106E | 35 | 50 | 1 | 0.109 |
| 6006 E-2Z | 80106E | 35 | 50 | 1 | 0.111 |
| 6206 E-Z | 60206E | 35 | 57 | 1 | 0.198 |
| 6206 E-2Z | 80206E | 35 | 57 | 1 | 0.197 |
| 6206 E-2Z/HTB | | 35 | 57 | 1 | 0.196 |
| 6306 E-Z | 60306E | 36.5 | 65.5 | 1 | 0.348 |
| 6306 E-2Z | 80306E | 36.5 | 65.5 | 1 | 0.347 |
| 6007 E-Z | 60107E | 40 | 57 | 1 | 0.149 |
| 6007 E-2Z | 80107E | 40 | 57 | 1 | 0.15 |
| 6207 E-Z | 60207E | 41.5 | 65.5 | 1 | 0.283 |
| 6207 E-2Z | 80207E | 41.5 | 65.5 | 1 | 0.28 |
| 6307 E-Z | 60307E | 43 | 72 | 1.5 | 0.461 |
| 6307 E-2Z | 80307E | 43 | 72 | 1.5 | 0.465 |
| 61908-Z | | 43.2 | 58.8 | 0.6 | 0.12 |
| 61908-2Z | | 43.2 | 58.8 | 0.6 | 0.119 |
| 6008 E-Z | 60108E | 45 | 63 | 1 | 0.189 |
| 6008 E-2Z | 80108E | 45 | 63 | 1 | 0.193 |
| 6208 E-Z | 60208E | 46.5 | 73.5 | 1 | 0.352 |
| 6208 E-2Z | 80208E | 46.5 | 73.5 | 1 | 0.345 |
| 6308 E-2ZTN1/P64Z2YA | | 49 | 81 | 1.5 | 0.591 |
| 6308 E-2ZP64Z2YA | | 49 | 81 | 1.5 | 0.612 |
| 6308 E-Z | 60308E | 48 | 82 | 1.5 | 0.606 |
| 6308 E-2Z | 80308E | 48 | 82 | 1.5 | 0.603 |
| 6009 E-Z | 60109E | 50 | 70 | 1 | 0.231 |
| 6009 E-2Z | 80109E | 50 | 70 | 1 | 0.236 |
| 6209 E-Z | 60209E | 51.5 | 78.5 | 1 | 0.402 |
| 6209 E-2Z | 80209E | 51.5 | 78.5 | 1 | 0.397 |
| 6209 E-2Z/YA | | 51.5 | 78.5 | 1 | 0.437 |



Deep Groove Ball Bearings
with shield



d 45~95mm

| Boundary Dimensions | | | | Basic Load Ratings | | Limiting Speeds | |
|---------------------|----------|----------|------------------------|---------------------|--------------------------------|-----------------|------|
| <i>d</i> | <i>D</i> | <i>B</i> | <i>r_{min}</i> | Dynamic <i>C</i> | Static <i>C₀</i> | Grease | Oil |
| mm | | | | kN | | r/min | |
| 45 | 100 | 25 | 1.5 | 52.8 | 30.5 | 6500 | 7800 |
| | 100 | 25 | 1.5 | 52.8 | 30.5 | 6500 | 7800 |
| 50 | 80 | 16 | 1 | 21.8 | 16.6 | 8000 | 9700 |
| | 80 | 16 | 1 | 22 | 16.2 | 8000 | 9700 |
| | 80 | 16 | 1 | 22 | 16.2 | 8000 | 9700 |
| | 90 | 20 | 1.1 | 35.4 | 23.8 | 6800 | 8200 |
| | 90 | 20 | 1.1 | 35.4 | 23.8 | 6800 | 8200 |
| | 110 | 27 | 0.2 | 61.8 | 37.9 | 4300 | |
| 55 | 100 | 21 | 1.5 | 43.3 | 28.1 | 6100 | 7300 |
| | 100 | 21 | 1.5 | 43.3 | 28.1 | 6100 | 7300 |
| | 120 | 29 | 2 | 71.5 | 44.6 | 5400 | 6500 |
| 60 | 110 | 22 | 1.5 | 53.3 | 33.5 | 5400 | 6800 |
| | 110 | 22 | 1.5 | 53.3 | 33.5 | 5400 | 6800 |
| 65 | 100 | 18 | 1.1 | 32.1 | 24.9 | 6000 | 7600 |
| | 100 | 18 | 1.1 | 32.1 | 24.9 | 6000 | 7600 |
| | 120 | 23 | 1.5 | 56.5 | 41.2 | 5100 | 6100 |
| | 120 | 23 | 1.5 | 56.5 | 41.2 | 5100 | 6100 |
| 70 | 125 | 24 | 1.5 | 60.8 | 46.5 | 4800 | 5800 |
| | 125 | 24 | 1.5 | 60.8 | 46.5 | 4800 | 5800 |
| 75 | 130 | 25 | 1.5 | 65 | 50.5 | 4600 | 5400 |
| | 130 | 25 | 1.5 | 64.3 | 47.5 | 4600 | 5400 |
| 80 | 140 | 26 | 2 | 72.7 | 53 | 4400 | 5100 |
| | 140 | 26 | 2 | 72.7 | 53 | 4400 | 5100 |
| | 170 | 39 | 1.5 | 123 | 86.5 | 2800 | |
| 85 | 130 | 22 | 1.1 | 50.3 | 41.2 | 4800 | 5600 |
| | 130 | 22 | 1.1 | 50.3 | 41.2 | 4800 | 5600 |
| | 150 | 28 | 2 | 83.2 | 64 | 4200 | 4800 |
| | 150 | 28 | 2 | 83.2 | 64 | 4200 | 4800 |
| 90 | 190 | 43 | 2 | 143 | 107 | 2400 | |
| 95 | 145 | 24 | 1.5 | 79 | 55 | 4200 | 4800 |
| | 145 | 24 | 1.5 | 79 | 55 | 4200 | 4800 |

| Bearing Designations | | Mounting Dimensions | | | Mass |
|-----------------------|----------|-------------------------|-------------------------|-------------------------|-------|
| Present | Original | <i>D_{amin}</i> | <i>D_{amax}</i> | <i>r_{amax}</i> | |
| | | mm | | | kg |
| 6309E-Z | 60309E | 53 | 92 | 1.5 | 0.815 |
| 6309E-2Z | 80309E | 53 | 92 | 1.5 | 0.814 |
| 6010E/YA/P53V2 | | | 75.4 | 1 | 0.264 |
| 6010E-Z | 60110E | 55 | 75 | 1 | 0.257 |
| 6010E-2Z | 80110E | 55 | 75 | 1 | 0.263 |
| 6210E-Z | 60210E | 56.5 | 83.5 | 1 | 0.47 |
| 6210E-2Z | 80210E | 56.5 | 83.5 | 1 | 0.476 |
| 6310 E-2ZTN1/P64Z2YUA | | 59 | 101 | 0.2 | 1.03 |
| 6310E-Z | 60310E | 59 | 101 | 2 | 1.06 |
| 6310E-2Z | 80310E | 59 | 101 | 2 | 1.05 |
| 6211E-Z | 60211E | 63 | 92 | 1.5 | 0.614 |
| 6211E-2Z | 80211E | 63 | 92 | 1.5 | 0.621 |
| 6311E-Z | 60311E | 64 | 111 | 2 | 1.35 |
| 6311E-2Z | 80311E | 64 | 111 | 2 | 1.37 |
| 6212E-Z | 60212E | 68 | 102 | 1.5 | 0.793 |
| 6212E-2Z | 80212E | 68 | 102 | 1.5 | 0.791 |
| 6013E-Z | 60113E | 71.5 | 93.5 | 1 | 0.406 |
| 6013E-2Z | 80113E | 71.5 | 93.5 | 1 | 0.414 |
| 6213E-Z | 60213E | 73 | 112 | 1.5 | 0.988 |
| 6213E-2Z | 80213E | 73 | 112 | 1.5 | 0.986 |
| 6214E-Z | 60214E | 78 | 117 | 1.5 | 1.1 |
| 6214E-2Z | 80214E | 78 | 117 | 1.5 | 1.1 |
| 6215E-Z | 60215E | 83 | 122 | 1.5 | 1.25 |
| 6215E-2Z | 80215E | 83 | 122 | 1.5 | 1.28 |
| 6216-Z | 60216 | 89 | 131 | 2 | 1.46 |
| 6216-2Z | 80216 | 89 | 131 | 2 | 1.47 |
| 6316 E-2ZP64Z2YA | | 92 | 158 | 1.5 | 3.66 |
| 6017E-Z | 60117E | 91.5 | 123.5 | 1 | 0.832 |
| 6017E-2Z | 80117E | 91.5 | 123.5 | 1 | 0.835 |
| 6217E-Z | 60217E | 94 | 141 | 2 | 1.87 |
| 6217E-2Z | 80217E | 94 | 141 | 2 | 1.95 |
| 6318 E-2Z/C4YA | | 104 | 176 | 2 | 4.99 |
| 6019E-Z | 60119E | 103 | 137 | 1.5 | 1.17 |
| 6019E-2Z | 80119E | 103 | 137 | 1.5 | 1.19 |