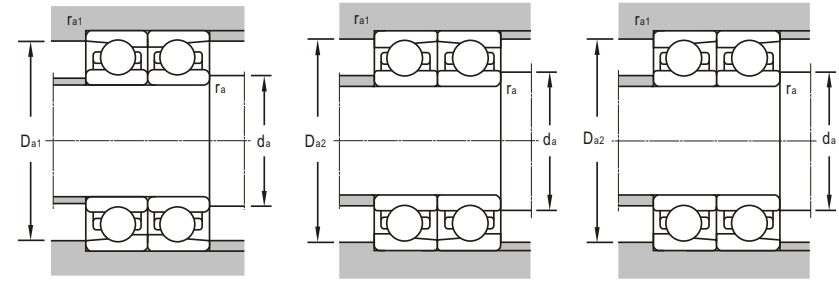
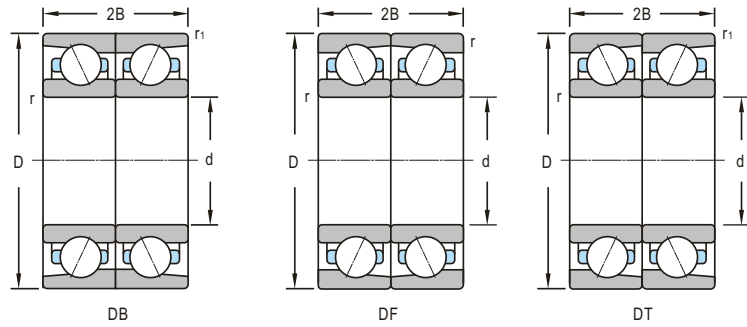




Angular Contact Ball Bearings

single row, in pairs



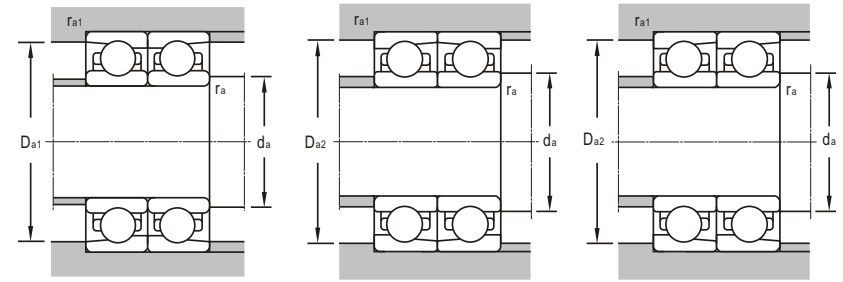
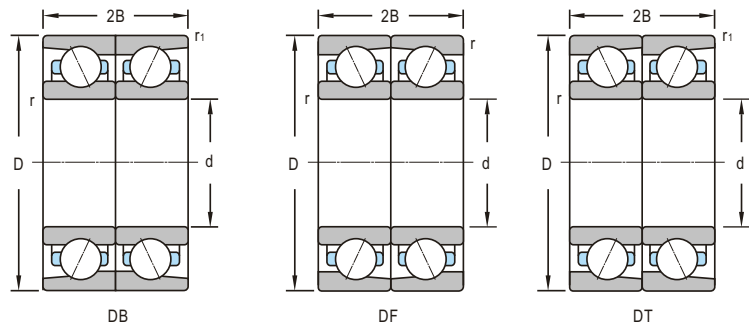
d 10~30mm

d	Boundary Dimensions				Basic Load Ratings		Limiting Speeds		
	D	2B	r <sub>min</sub>	r <sub>1min</sub>	Dynamic C	Static C <sub>0</sub>	Grease	Oil	
mm				kN		r/min			
10	26	16	0.3	0.15	7.99	4.42	14000	20000	
	26	16	0.3	0.15	7.72	4.28	14000	20000	
	30	18	0.6	0.15	9.44	5.86	13000	18000	
	30	18	0.6	0.15	9.08	5.7	13000	18000	
12	28	16	0.3	0.15	8.8	5.28	13000	18000	
	28	16	0.3	0.15	8.46	5.06	13000	18000	
	32	20	0.6	0.15	11.9	6.86	12000	17000	
	32	20	0.6	0.15	11.5	6.66	12000	17000	
15	32	18	0.3	0.15	10.1	6.78	12000	17000	
	32	18	0.3	0.15	9.7	6.48	12000	17000	
	35	22	0.6	0.15	14.1	9.14	11000	15000	
	35	22	0.6	0.15	13.6	8.78	11000	15000	
17	35	20	0.3	0.15	10.7	7.62	11000	15000	
	35	20	0.3	0.15	10.2	7.3	11000	15000	
	40	24	0.6	0.3	17.5	12.3	10000	14000	
	40	24	0.6	0.3	17.1	11.3	10000	14000	
20	42	24	0.6	0.15	17.1	12	9500	13000	
	42	24	0.6	0.15	16.2	11.5	9500	13000	
	47	28	1	0.3	25.2	17.8	9000	12000	
	47	28	1	0.3	24.4	17.1	9000	12000	
	47	28	1	0.3	22.9	15.6	9000	12000	
	47	28	1	0.6	19	45.2	8500	11000	
	47	28	1	0.6	19	45.2	8500	11000	
	47	28	1	0.6	19	45.2	8500	11000	
25	47	24	0.6	0.15	21	17.2	9000	12000	
	47	24	0.6	0.15	18	14.2	9000	12000	
	52	30	1	0.3	24	18.4	8000	11000	
	52	30	1	0.3	25.8	19.6	8000	11000	
	52	30	1	0.3	25.7	18.7	8000	11000	
	62	34	1.1	0.6	48.6	34.4	6700	10000	
	62	34	1.1	0.6	46.9	33.4	6700	10000	
	62	34	1.1	0.6	42.6	30.2	6700	10000	
	30	62	48(3B)	1.1	1	36.9	110.7	6700	10000
		55	26	1	0.3	24.5	20.6	6700	10000
55		26	1	0.3	23.4	19.7	6700	10000	
62		32	1	0.3	37.4	29.4	6300	9500	

	Bearing Designations			Mounting Dimensions			Mass				
	Present		Original	d <sub>a</sub>	D <sub>d1</sub>	D <sub>d2</sub>		r <sub>a</sub>	r <sub>a1</sub>		
	tandem	back-to-back	face-to-face	tandem	back-to-back	face-to-face	mm				
							kg				
7000C/DT	7000C/DB	7000C/DF	436100	236100	336100	12.4	23.6	24.8	0.3	0.15	0.036
7000AC/DT	7000AC/DB	7000AC/DF	446100	246100	346100	12.4	23.6	24.8	0.3	0.15	0.036
7200C/DT	7200C/DB	7200C/DF	436200	236200	336200	15	25	28.8	0.6	0.15	0.06
7200AC/DT	7200AC/DB	7200AC/DF	446200	246200	346200	15	25	28.8	0.6	0.15	0.06
7001C/DT	7001C/DB	7001C/DF	436101	236101	336101	14.4	25.6	26.8	0.3	0.15	0.04
7001AC/DT	7001AC/DB	7001AC/DF	446101	246101	346101	14.4	25.6	26.8	0.3	0.15	0.04
7201C/DT	7201C/DB	7201C/DF	436201	236201	336201	17	27	30.8	0.6	0.15	0.07
7201AC/DT	7201AC/DB	7201AC/DF	446201	246201	346201	17	27	30.8	0.6	0.15	0.07
7002C/DT	7002C/DB	7002C/DF	436102	236102	336102	17.4	27	30.8	0.3	0.15	0.056
7002AC/DT	7002AC/DB	7002AC/DF	446102	246102	346102	17.4	27	30.8	0.3	0.15	0.056
7202C/DT	7202C/DB	7202C/DF	436202	236202	336202	20	30	33.8	0.6	0.15	0.086
7202AC/DT	7202AC/DB	7202AC/DF	446202	246202	346202	20	30	33.8	0.6	0.15	0.086
7003C/DT	7003C/DB	7003C/DF	436103	236103	336103	19.4	32.6	33.8	0.3	0.15	0.072
7003AC/DT	7003AC/DB	7003AC/DF	446103	246103	346103	19.4	32.6	33.8	0.3	0.15	0.072
7203C/DT	7203C/DB	7203C/DF	436203	236203	336203	22	35	37.6	0.6	0.3	0.127
7203AC/DT	7203AC/DB	7203AC/DF	446203	246203	346203	22	35	37.6	0.6	0.3	0.127
7004C/DT	7004C/DB	7004C/DF	436104	236104	336104	25	37	40.8	0.6	0.15	0.128
7004AC/DT	7004AC/DB	7004AC/DF	446104	246104	346104	25	37	40.8	0.6	0.15	0.128
7204C/DT	7204C/DB	7204C/DF	436204	236204	336204	26	41	44.6	1	0.3	0.2
7204AC/DT	7204AC/DB	7204AC/DF	446204	246204	346204	26	41	44.6	1	0.3	0.2
7204B/DT	7204B/DB	7204B/DF	466204	266204	366204	26	41	44.6	1	0.3	0.22
		760204 TN1/P4 DFB				26	42	44	1	0.6	0.246
		760204 TN1/P4 DDB				26	42	44	1	0.6	0.246
7005C/DT	7005C/DB	7005C/DF	436105	236105	336105	30	42	45.8	0.6	0.15	0.148
7005AC/DT	7005AC/DB	7005AC/DF	446105	246105	346105	30	42	45.8	0.6	0.15	0.148
7205C/DT	7205C/DB	7205C/DF	436205	236205	336205	31	46	49.6	1	0.3	0.244
7205AC/DT	7205AC/DB	7205AC/DF	446205	246205	346205	31	46	49.6	1	0.3	0.244
7205B/DT	7205B/DB	7205B/DF	466205	266205	366205	31	46	49.6	1	0.3	0.26
7305C/DT	7305C/DB	7305C/DF	436305	236305	336305	32	55	57	1	0.6	0.46
7305AC/DT	7305AC/DB	7305AC/DF	446305	246305	346305	32	55	57	1	0.6	0.46
7305B/DT	7305B/DB	7305B/DF	466305	266305	366305	32	55	57	1	0.6	0.5
7006C/DT	7006C/DB	7006C/DF	436106	236106	336106	36	49	52.6	1	0.3	0.22
7206C/DT	7206C/DB	7206C/DF	446106	246106	346106	36	49	52.6	1	0.3	0.22
B7206C/DT	7206C/DB	7206C/DF	436206	236206	336206	36	56	59.6	1	0.3	0.396



single row, in pairs



d 30~50mm

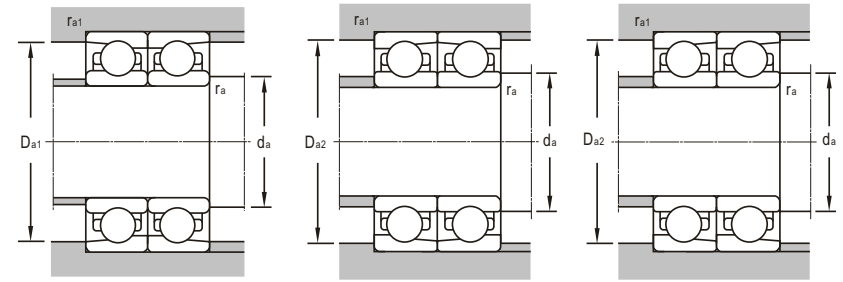
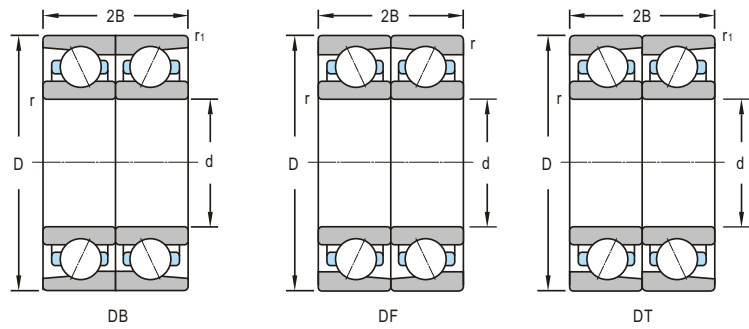
d	Boundary Dimensions				Basic Load Ratings		Limiting Speeds	
	D	2B	r <sub>min</sub>	r <sub>1min</sub>	Dynamic C	Static C <sub>0</sub>	Grease	Oil
mm				kN		r/min		
30	62	32	1	0.3	37.4	29.4	6300	9500
	62	32	1	0.3	35.9	28.2	6300	9000
	62	32	1	0.3	33.6	25	6300	9000
	72	38	1.1	0.6	58.3	44.6	6000	8500
	72	38	1.1	0.6	56.2	42.8	6000	8500
35	62	28	1	0.3	26.5	24.2	6000	8500
	62	28	1	0.3	25.2	23	6000	8500
	72	34	1.1	0.6	52.1	43.4	5600	7500
	72	34	1.1	0.6	49.9	41.4	5600	7500
	72	34	1.1	0.6	44	38	5600	7500
40	100	50	1.5	1.1	86	69	3200	4800
	68	30	1	0.3	32.7	30.4	5600	7500
	68	30	1	0.3	30.9	28.8	5600	7500
	80	36	1.1	0.6	59.9	51.2	5300	7000
	80	36	1.1	0.6	57.2	48.8	5300	7000
	80	36	1.1	0.6	53	46.8	5300	7000
	90	46	1.5	0.6	87.4	70	4500	6300
	90	46	1.5	0.6	84.1	67.6	4500	6300
	90	46	1.5	0.6	75.4	60.6	4500	6300
	100	50	1.5	0.6	96.9	79.4	4000	5600
45	58	14	1	0.3	9.54	11.4	6000	7500
	75	32	1	0.3	42.1	40.8	5300	7000
	75	32	1	0.3	39.8	38.6	5300	7000
	75	32	1	0.3	42.1	40.8	5000	7000
	85	38	1.1	0.6	62.7	56.6	4500	6300
	85	38	1.1	0.6	59.9	54.2	4500	6300
	85	38	1.1	0.6	58.5	52.6	4500	6300
	100	50	1.5	0.6	109	91.6	4000	5600
	100	50	1.5	0.6	108	88	4000	5600
	100	50	1.5	0.6	97	79.4	4000	5600
50	80	32	1	0.3	43.2	43.8	4500	6300
	80	32	1	0.3	40.9	42.8	4500	6300
	80	32	1	0.3	43.2	43.8	4500	6500
	90	40	1.1	0.6	69.5	63.4	4300	6000
	90	40	1.1	0.6	66.3	60.6	4300	6000
	90	40	1.1	0.6	46.7	45.6	4300	6000

Bearing Designations						Mounting Dimensions					Mass
Present			Original			d <sub>a</sub>	D <sub>a1</sub>	D <sub>a2</sub>	r <sub>a</sub>	r <sub>a1</sub>	kg
tandem	back-to-back	face-to-face	tandem	back-to-back	face-to-face						
						mm					
7206AC/DT			736206			36	56	59.6	1	0.3	0.234
7206B/DT	7206AC/DB	7206AC/DF	446206	246206	3462006	36	56	59.6	1	0.3	0.396
76026 TN/P4/T8TB	7206B/DB	7206B/DF	466206	266206	336206	36	56	59.6	1	0.3	0.42
7306C/DT	7306C/DB	7306C/DF	436306	236306	336306	37	65	67	1	0.6	0.7
7306AC/DT	7306AC/DB	7306AC/DF	446306	246306	346306	37	65	67	1	0.6	0.7
7306B/DT	7306B/DB	7306B/DF	466306	266306	366306	37	65	67	1	0.6	0.74
7007C/DT	7007C/DB	7007C/DF	436107	236107	336107	41	56	59.6	1	0.3	0.3
7007AC/DT	7007AC/DB	7007AC/DF	446107	246107	346107	41	56	59.6	1	0.3	0.3
7207C/DT	7207C/DB	7207C/DF	436207	236207	336207	42	65	67	1	0.6	0.61
7207AC/DT	7207AC/DB	7207AC/DF	446207	246207	346207	42	65	67	1	0.6	0.61
7207B/DT	7207B/DB	7207B/DF	466207	266207	366207	42	65	67	1	0.6	0.6
7407AC/DB						44	91	93	1.5	1	1.87
7008C/DT	7008C/DB	7008C/DF	436108	236108	336108	46	62	65.6	1	0.3	0.36
7008AC/DT	7008AC/DB	7008AC/DF	446108	246108	346108	46	62	65.6	1	0.3	0.36
7208C/DT	7208C/DB	7208C/DF	436208	236208	336208	47	73	75	1	0.6	0.737
7208AC/DT	7208AC/DB	7208AC/DF	446208	246208	346208	47	73	75	1	0.6	0.74
7208B/DT	7208B/DB	7208B/DF	466208	266208	366208	47	73	75	1	0.6	0.78
7308C/DT	7308C/DB	7308C/DF	436308	236308	336308	49	81	85	1.5	0.6	1.69
7308AC/DT	7308AC/DB	7308AC/DF	446308	246308	346308	49	81	85	1.5	0.6	1.32
7308B/DT	7308B/DB	7308B/DF	466308	266308	366308	49	81	85	1.5	0.6	1.34
7309B/DFYA2						49	91	95	1.5	0.6	2.07
71809CM/P4DT						48	55.6	52	0.25	0.1	0.097
7009C/DT	7009C/DB	7009C/DF	436109	236109	336109	51	69	72.6	1	0.3	0.46
7009AC/DT	7009AC/DB	7009AC/DF	446109	246109	346109	51	69	72.6	1	0.3	0.46
B7009C/DT			736109			51	69	72.6	1	0.3	0.484
7209C/DT	7209C/DB	7209C/DF	436209	236209	336209	52	78	80	1	0.6	0.814
7209AC/DT	7209AC/DB	7209AC/DF	446209	246209	346209	52	78	80	1	0.6	0.82
7209B/DT	7209B/DB	7209B/DF	466209	266209	366209	52	78	80	1	0.6	0.88
7309C/DT	7309C/DB	7309C/DF	436309	236309	336309	54	91	95	1.5	0.6	1.72
7309AC/DT	7309AC/DB	7309AC/DF	446309	246309	346309	54	91	95	1.5	0.6	1.72
7309B/DT	7309B/DB	7309B/DF	466309	266309	366309	54	91	95	1.5	0.6	1.8
7010C/DT	7010C/DB	7010C/DF	436110	236110	336110	56	74	77.6	1	0.3	0.5
7010AC/DT	7010AC/DB	7010AC/DF	446110	246110	346110	56	74	77.6	1	0.3	0.5
B7010C/DT			736110			56	74	77.6	1	0.3	0.52
7210C/DT	7210C/DB	7210C/DF	436210	236210	336210	57	83	85	1	0.6	0.92
						57	83	85	1	0.6	0.964
						57	83	85	1	0.6	0.997



Angular Contact Ball Bearings

single row, in pairs



d 50~70mm

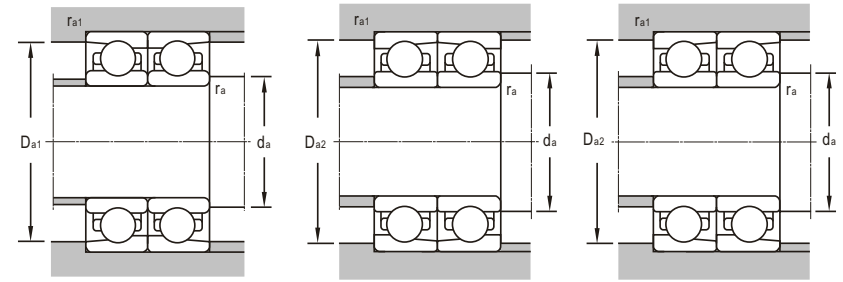
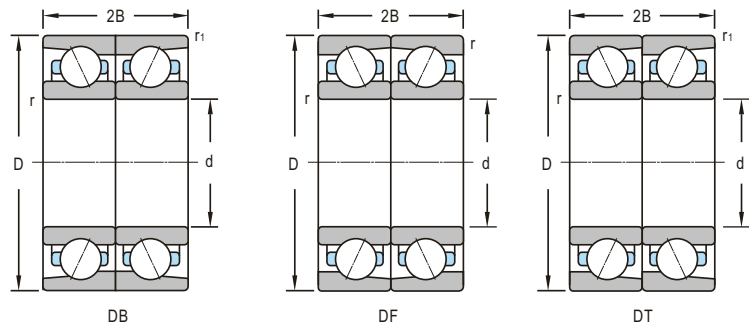
Boundary Dimensions					Basic Load Ratings		Limiting Speeds	
d	D	2B	r <sub>min</sub>	r <sub>1min</sub>	Dynamic C	Static C <sub>0</sub>	Grease	Oil
mm					kN		r/min	
50	90	40	1.1	0.6	66.3	60.6	4300	6000
	90	40	1.1	0.6	60.8	57.2	4300	6000
	90	40	1.1	0.6	69.5	63.4	4300	6000
	110	54	2	1	129	112	3800	5300
	110	54	2	1	124	108	3800	5300
55	90	36	1.1	0.6	60.4	57.2	4000	5600
	90	36	1.1	0.6	57.2	54.4	4000	5600
	90	36	1.1	0.6	57.2	54.4	4000	5600
	100	42	1.5	0.6	86.1	80.8	3800	5300
	100	42	1.5	0.6	82	76.4	3800	5300
	100	42	1.5	0.6	75.2	72.2	3800	5300
	120	58	2	1	149	131	3400	4800
60	120	58	2	1	143	126	3400	4800
	120	58	2	1	128	113	3400	4800
	95	36	1.1	0.6	62.1	65.2	3800	5300
	95	36	1.1	0.6	58.8	63.2	3800	5300
	110	44	1.5	0.6	91.1	96.6	3600	5000
65	110	44	1.5	0.6	94.5	92	3600	5000
	110	44	1.5	0.6	99.1	88.8	3600	5000
	130	62	2.1	1.1	171	153	3400	4500
	130	62	2.1	1.1	164	147	3400	4500
	130	62	2.1	1.1	146	131	3400	4500
70	100	36	1.1	0.6	65.1	70.8	3600	5000
	100	36	1.1	0.6	61.7	68.2	3600	5000
	120	46	1.5	0.6	114	110	3400	4500
	120	46	1.5	0.6	108	117	3400	4500
	120	46	1.5	0.6	108	117	3400	4500
	120	46	1.5	0.6	76.2	78.6	3400	4500
	120	46	1.5	0.6	103	92	3400	4500
	140	58.7	2.1	2.1	145	115	3200	4300
	140	66	2.1	1.1	197	178	3000	4000
	140	66	2.1	1.1	188	171	3000	4000
70	140	66	2.1	1.1	167	153	3000	4000
	110	40	1.1	0.6	78.5	86	3400	4800
	110	40	1.1	0.6	74.2	85	3400	4800
110	40	1.1	1	74.2	85.4	3500	5500	

Bearing Designations						Mounting Dimensions					Mass
Present			Original			d <sub>a</sub>	D <sub>a1</sub>	D <sub>a2</sub>	r <sub>a</sub>	r <sub>a1</sub>	
tandem	back-to-back	face-to-face	tandem	back-to-back	face-to-face	mm					kg
7210AC/DT	7210AC/DB	7210AC/DF	446210	246210	346210	57	83	85	1	0.6	0.92
7210B/DT	7210B/DB	7210B/DF	466210	266210	366210	57	83	85	1	0.6	0.98
	7210C/DB/YA			3-642		57	83	85	1	0.6	1.95
7310C/DT	7310C/DB	7310C/DF	436310	236310	336310	60	100	104	2	1	2.16
7310AC/DT	7310AC/DB	7310AC/DF	446310	246310	346310	60	100	104	2	1	2.64
7310B/DT	7310B/DB	7310B/DF	466310	266310	366310	60	100	104	2	1	2.3
7011C/DT	7011C/DB	7011C/DF	436111	236111	336111	62	83	85	1	0.6	0.76
7011AC/DT	7011AC/DB	7011AC/DF	446111	246111	346111	62	83	85	1	0.6	0.76
	7011AC/N2L1/DB			246111K		62	83	85	1	0.6	0.788
7211C/DT	7211C/DB	7211C/DF	436211	236211	336211	64	91	95	1.5	0.6	1.22
7211AC/DT	7211AC/DB	7211AC/DF	446211	246211	346211	64	91	95	1.5	0.6	1.22
7211B/DT	7211B/DB	7211B/DF	466211	266211	366211	64	91	95	1.5	0.6	1.3
7311C/DT	7311C/DB	7311C/DF	436311	236311	336311	65	110	114	2	1	3.42
7311AC/DT	7311AC/DB	7311AC/DF	446311	246311	346311	65	110	114	2	1	2.84
7311B/DT	7311B/DB	7311B/DF	466311	266311	366311	65	110	114	2	1	2.9
7012C/DT	7012C/DB	7012C/DF	436112	236112	336112	67	88	90	1	0.6	0.8
7012AC/DT	7012AC/DB	7012AC/DF	446112	246112	346112	67	88	90	1	0.6	0.8
7212C/DT	7212C/DB	7212C/DF	436212	236212	336212	69	101	105	1.5	0.6	1.6
7212AC/DT	7212AC/DB	7212AC/DF	446212	246212	346212	69	101	105	1.5	0.6	1.6
7212B/DT	7212B/DB	7212B/DF	466212	266212	366212	69	101	105	1.5	0.6	1.68
7312C/DT	7312C/DB	7312C/DF	436312	236312	336312	72	118	123	2.1	1	3.4
7312AC/DT	7312AC/DB	7312AC/DF	446312	246312	346312	72	118	123	2.1	1	4.12
7312B/DT	7312B/DB	7312B/DF	466312	266312	366312	72	118	123	2.1	1	3.7
7013C/DT	7013C/DB	7013C/DF	436113	236113	336113	72	93	95	1	0.6	0.86
7013AC/DT	7013AC/DB	7013AC/DF	446113	246113	346113	72	93	95	1	0.6	0.86
7213C/DT	7213C/DB	7213C/DF	436213	236213	336213	74	111	115	1.5	0.6	2
7213AC/DT	7213AC/DB	7213AC/DF	446213	246213	346213	74	111	115	1.5	0.6	2
	7213AC/N2/DB			246213K		74	111	115	1.5	0.6	2.03
	7213EBN2/DB			D266213EK		74	111	115	1.5	0.6	2.17
7213B/DT	7213B/DB	7213B/DF	466213	266213	366213	74	111	115	1.5	0.6	2.1
3313 YA/P6						77	128	133	2.1	2.1	3.8
7313C/DT	7313C/DB	7313C/DF	436313	236313	336313	77	128	133	2.1	1	4.46
7313AC/DT		7313AC/DF	446313	246313	346313	77	128	133	2.1	1	4.46
7313B/DT		7313B/DF	466313	266313	366313	77	128	133	2.1	1	4.5
7014C/DT	7014C/DB	7014C/DF	436114	226114	336114	77	103	105	1	0.6	1.2
7014AC/DT	7014AC/DB	7014AC/DF	446114	246114	346114	77	103	105	1	0.6	1.2
B7014AC/DT			746114			77	103	104	1	1	1.18



Angular Contact Ball Bearings

single row, in pairs



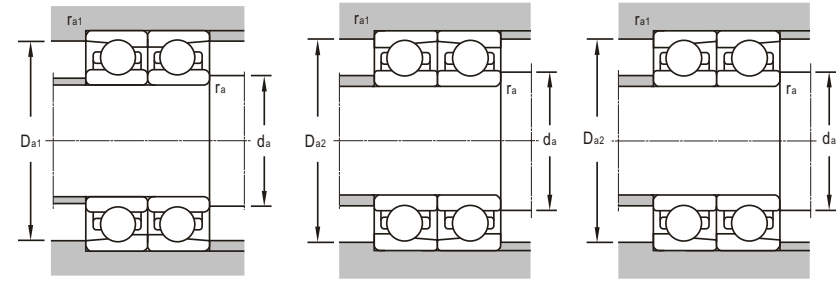
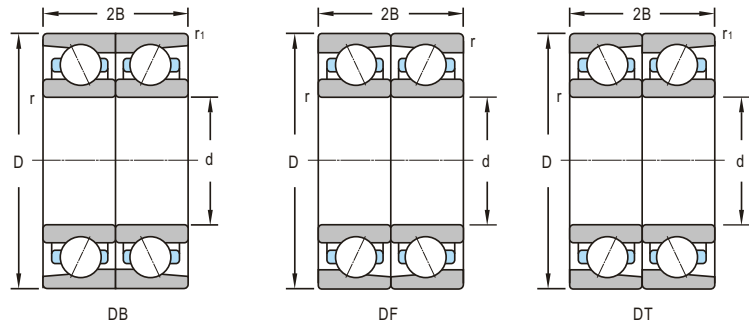
d 70~90mm

d	Boundary Dimensions				Basic Load Ratings		Limiting Speeds	
	D	2B	r <sub>min</sub>	r <sub>1min</sub>	Dynamic C	Static C <sub>0</sub>	Grease	Oil
mm				kN		r/min		
70	125	48	1.5	0.6	118	120	3200	4300
	125	48	1.5	0.6	123	123	3200	4300
	125	48	1.5	0.6	100	102	3200	4300
	150	70	2.1	1.1	218	200	2800	3600
	150	70	2.1	1.1	210	193	2800	3600
75	115	40	1.1	0.6	80.5	96	3400	4500
	115	40	1.1	0.6	76	91	3400	4500
	115	40	1.1	0.6	80.5	92.1	3400	4500
	130	50	1.5	0.6	129	131	3000	4000
	130	50	1.5	0.6	122	126	3000	4000
80	125	44	1.1	0.6	94.4	114	3200	4300
	125	44	1.1	0.6	90	110	3200	4300
	125	44	1.1	0.6	90	110	3200	4300
	140	52	2	1	145	154	2800	3600
	140	52	2	1	138	158	2800	3600
85	130	44	1.1	0.6	102	123	3000	4000
	130	44	1.1	0.6	96.2	118	3000	4000
	150	56	2	1	162	170	2600	3400
	150	56	2	1	154	162	2600	3400
	150	56	2	1	151	162	2600	3400
90	140	48	1.5	0.6	116	143	2800	3600
	140	48	1.5	0.6	110	137	2800	3600
	160	60	2	1	200	210	2400	3400

Bearing Designations						Mounting Dimensions					Mass
Present			Original			d <sub>a</sub>	D <sub>a1</sub>	D <sub>a2</sub>	r <sub>a</sub>	r <sub>a1</sub>	kg
tandem	back-to-back	face-to-face	tandem	back-to-back	face-to-face	mm					
7214C/DT	7214C/DB	7214C/DF	436214	236214	336214	79	114	120	1.5	0.6	2.2
7214AC/DT	7214AC/DB	7214AC/DF	446214	246214	346214	79	114	120	1.5	0.6	2.2
7214B/DT	7214B/DB	7214B/DF	466214	266214	366214	79	114	120	1.5	0.6	2.3
7314C/DT	7314C/DB	7314C/DF	436314	236314	336314	79	141	143	1.5	1	5.34
7314AC/DT	7314AC/DB	7314AC/DF	446314	246314	346314	79	141	143	1.5	1	6.12
7314B/DT	7314B/DB	7314B/DF	466314	266314	366314	79	141	143	1.5	1	5.5
7015C/DT	7015C/DB	7015C/DF	436115	236115	336115	82	108	110	1	0.6	1.26
7015EA/DT	7015EA/DB	7015EA/DF	446115E	246115E	346115E	82	108	110	1	0.6	1.26
7215C/DT	7215C/DB	7215C/DF	436215	236215	336215	84	121	125	1.5	0.6	2.4
7215AC/DT	7215AC/DB	7215AC/DF	446215	246215	346215	84	121	125	1.5	0.6	2.4
7215B/DT	7215B/DB	7215B/DF	466215	266215	366215	84	121	125	1.5	0.6	2.6
7315C/DT	7315C/DB	7315C/DF	436315	236315	336315	87	148	153	2.1	1	7.12
7315AC/DT	7315AC/DB	7315AC/DF	446315	246315	346315	87	148	153	2.1	1	7.12
7315B/DT	7315B/DB	7315B/DF	466315	266315	366315	87	148	153	2.1	1	6.6
7016C/DT	7016C/DB	7016C/DF	436116	236116	336116	87	118	120	1	0.6	1.7
7016AC/DT	7016AC/DB	7016AC/DF	446116	246116	346116	87	118	120	1	0.6	1.7
	7016ACTB/P4DBB					87	118	120	1	0.6	1.7
7216C/DT	7216C/DB	7216C/DF	436216	236216	336216	90	130	134	2	1	2.9
7216AC/DT	7216AC/DB	7216AC/DF	446216	246216	346216	90	130	134	2	1	2.9
	7216ACN2/DB			246216K		90	130	134	2	1	2.99
	7216ACN2/DB			266216EK		90	130	134	2	1	3.16
7216B/DT	7216B/DB	7216B/DF	466216	266216	366216	90	130	134	2	1	3.1
7316C/DT	7316C/DB	7316C/DF	436316	236316	336316	92	158	163	2.1	1	7.18
7316AC/DT	7316AC/DB	7316AC/DF	446316	246316	346316	92	158	163	2.1	1	7.18
7316B/DT	7316B/DB	7316B/DF	466316	266316	366316	92	158	163	2.1	1	7.8
7017C/DT	7017C/DB	7017C/DF	436117	236117	336117	92	123	126	1	0.6	1.78
7017AC/DT	7017AC/DB	7017AC/DF	446117	246117	346117	92	123	126	1	0.6	1.78
7217C/DT	7217C/DB	7217C/DF	436217	236217	336217	95	140	144	2	1	3.6
7217AC/DT	7217AC/DB	7217AC/DF	446217	246217	346217	95	140	144	2	1	3.6
7217B/DT	7217B/DB	7217B/DF	466217	266217	366217	95	140	144	2	1	3.9
7317C/DT	7317C/DB	7317C/DF	436317	236317	336317	99	166	173	2.5	1	8.76
7317AC/DT	7317AC/DB	7317AC/DF	436317	236317	346317	99	166	173	2.5	1	8.76
7317B/DT	7317B/DB	7317B/DF	466317	266317	366317	99	166	173	2.5	1	9.2
7018C/DT	7018C/DB	7018C/DF	436118	236118	336118	99	131	135	1.5	0.6	2.3
7018AC/DT	7018AC/DB	7018AC/DF	446118	246118	346118	99	131	135	1.5	0.6	1.62
7218EC/DT	7218EC/DB	7218EC/DF	436218E	236218E	336218E	100	150	154	2	1	4.5



single row, in pairs



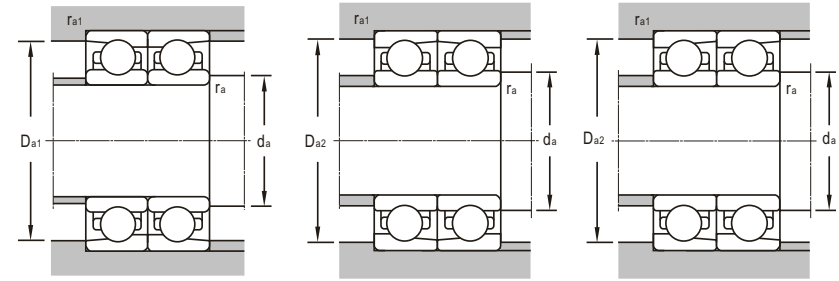
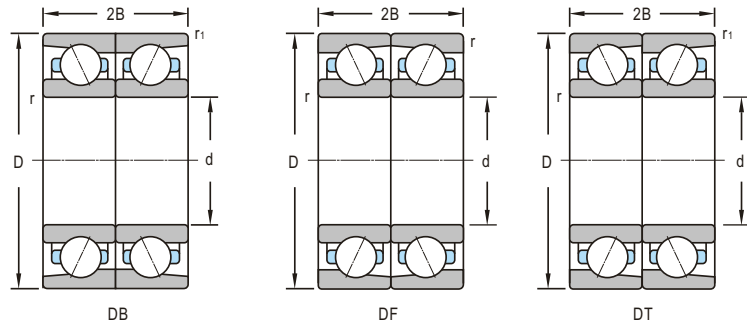
d 90~110mm

d	Boundary Dimensions				Basic Load Ratings		Limiting Speeds	
	D	2B	r <sub>min</sub>	r <sub>1min</sub>	Dynamic C	Static C <sub>0</sub>	Grease	Oil
mm								
					kN		r/min	
90	160	60	2	1	190	200	2400	3400
	160	60	2	1	172	188	2400	3400
	190	86	3	1.1	301	320	2200	3000
	190	86	3	1.1	289	308	2200	3000
	190	86	3	1.1	257	274	2200	3000
95	145	48	1.5	0.6	120	154	2600	3400
	145	48	1.5	0.6	113	142	2600	3400
	170	64	2.1	1.1	219	226	2400	3200
	170	64	2.1	1.1	208	229	2400	3200
	170	64	2.1	1.1	197	202	2400	3200
200	90	3	1.1	327	360	2000	2800	
	90	3	1.1	314	346	2000	2800	
95	200	90	3	1.1	279	308	2000	2800
100	150	48	1.5	0.6	129	163	2600	3400
	150	48	1.5	0.6	122	150	2600	3400
	180	68	2.1	1.1	242	254	2200	3000
	180	68	2.1	1.1	231	260	2200	3000
	180	68	2.1	1.1	211	228	2200	3000
	215	94	3	1.1	361	414	1800	2400
	215	94	3	1.1	348	398	1800	2400
215	94	3	1.1	309	354	1800	2400	
	72	1.5	0.6	138	199			
105	160	52	2	1	144	183	2600	3400
	160	52	2	1	136	174	2600	3400
	190	72	2.1	1.1	263	286	2000	2800
	190	72	2.1	1.1	252	274	2000	2800
	190	72	2.1	1.1	232	258	2000	2800
110	170	56	2	1	174	216	2400	3400
	170	56	2	1	169	208	2400	3400
	170	84	2	1	224	312	2200	3200
	170	84	2	1	224	312	2200	3200
	200	76	2.1	1.1	286	342	1900	2600
	200	76	2.1	1.1	273	306	1900	2600
	200	76	2.1	1.1	250	288	1900	2600
	240	100	3	1.1	411	504	1500	2200

Bearing Designations						Mounting Dimensions					Mass
Present			Original			d <sub>a</sub>	D <sub>a1</sub>	D <sub>a2</sub>	f <sub>a</sub>	f <sub>a1</sub>	
tandem	back-to-back	face-to-face	tandem	back-to-back	face-to-face						
mm											
											kg
7218ACM/DF						100	150	154	2	1	5.32
7218B/DT	7218B/DB	7218B/DF	466218	266218	366218	100	150	154	2	1	4.8
7318C/DT	7318C/DB	7318C/DF	436318	236318	336318	104	176	183	2.5	1	9.76
7318AC/DT	7318AC/DB	7318AC/DF	446318	246318	346318	104	176	183	2.5	1	10.12
7318B/DT	7318B/DB	7318B/DF	466318	266318	366318	104	176	183	2.5	1	10.8
7318EBN2DB						104	176	183	2.5	1	11.3
266318EK											
7019C/DT	7019C/DB	7019C/DF	436119	236119	336119	104	136	140	1.5	0.6	2.4
7019AC/DT	7019AC/DB	7019AC/DF	446119	246119	346119	104	136	140	1.5	0.6	2.4
7219C/DT	7219C/DB	7219C/DF	436219	236219	336219	107	158	163	2.1	1	5.4
7219AC/DT	7219AC/DB	7219AC/DF	446219	246219	346219	107	158	163	2.1	1	5.4
7219B/DT	7219B/DB	7219B/DF	466219	266219	366219	107	158	163	2.1	1	5.8
7319C/DT	7319C/DB	7319C/DF	436319	236319	336319	109	186	193	2.5	1	12
7319AC/DT	7319AC/DB	7319AC/DF	446319	246319	346319	109	186	193	2.5	1	12
7319B/DT	7319B/DB	7319B/DF	466319	266319	366319	109	186	193	2.5	1	12.5
7020C/DT	7020C/DB	7020C/DF	436120	236120	336120	109	141	145	1.5	0.6	2.5
7020AC/DT	7020AC/DB	7020AC/DF	446120	246120	346120	109	141	145	1.5	0.6	2.5
7220C/DT	7220C/DB	7220C/DF	436220	236220	336220	112	168	173	2.1	1	6.5
7220AC/DT	7220AC/DB	7220AC/DF	446220	246220	346220	112	168	173	2.1	1	6.5
7220B/DT	7220B/DB	7220B/DF	466220	266220	366220	112	168	173	2.1	1	6.9
7320C/DT	7320C/DB	7320C/DF	436320	236320	336320	114	201	208	2.5	1	14.4
7320AC/DT	7320AC/DB	7320AC/DF	446320	246320	346320	114	201	208	2.5	1	16.9
7320B/DT	7320B/DB	7320B/DF	466320	266320	366320	114	201	208	2.5	1	15.5
7020AC/TBT						109	141	145	1.5	0.6	
7021C/DT	7021C/DB	7021C/DF	436121	236121	336121	115	150	154	2	1	3.2
7021AC/DT	7021AC/DB	7021AC/DF	446121	246121	346121	115	150	154	2	1	3.2
7221C/DT	7221C/DB	7221C/DF	436221	236221	336221	117	178	173	2.1	1	7.7
7221AC/DT	7221AC/DB	7221AC/DF	446221	246221	346221	117	178	173	2.1	1	7.7
7221B/DT	7221B/DB	7221B/DF	466221	266221	366221	117	178	173	2.1	1	8.2
7022C/DT	7022C/DB	7022C/DF	436122	236122	336122	120	160	164	2	1	4.92
7022AC/DT	7022AC/DB	7022AC/DF	446122	246122	346122	120	160	164	2	1	4.92
7022AC/TBT						120	160	164	2	1	7.38
946122Y											
B7022AC/TBT						120	160	164	2	1	7.38
7222C/DT	7222C/DB	7222C/DF	436222	236222	336222	122	188	193	2.1	1	9.1
7222AC/DT	7222AC/DB	7222AC/DF	446222	246222	346222	122	188	193	2.1	1	9.1
7222B/DT	7222B/DB	7222B/DF	466222	266222	366222	122	188	193	2.1	1	9.6
7322AC/DT	7322AC/DB	7322AC/DF	446322	246322	346322	124	226	233	2.5	1	19.6



single row, in pairs



d 110~460mm

d	Boundary Dimensions				Basic Load Ratings		Limiting Speeds	
	D	2B	r <sub>min</sub>	r <sub>1min</sub>	Dynamic C	Static C <sub>0</sub>	Grease	Oil
mm								
					kN		r/min	
110	240	100	3	1.1	367	450	1500	2200
	240	100	3	1.1	411	504	1100	2200
120	215	80	2.1	1.1	309	358	1700	2400
	215	80	2.1	1.1	294	367	1700	2400
	215	80	2.1	1.1	268	322	1700	2400
	215	160	4	2.5	435.5	644	1700	2400
130	200	63	2	1	117	167	1100	2200
	230	80	3	1.1	292	364	1500	2200
140	250	84	2.1	1.1	281	389	1800	2300
150	230	70	2.1	2.1	229	322	1810	2200
160	290	96	3	1.1	416	590	800	1800
	340	136	4	1.5	601	892	700	1600
180	280	100	2.1	1.1	280	420	1500	1900
190	260	66	4	2.5	226	354	1500	1900
203.23	276.25	73	2	1	237	362	1300	1500
220	400	130	4	1.5	582	1014	750	1100
240	360	118	3	3	404	712	900	1250
260	369.5	118	3	3	362	643	1000	1300
	400	140	4	1.5	489	900	750	980
280	389.5	92	2.1	2.1	397	732	750	110
300	419.5	112	4	1.5	442	847	660	950
340	400	115	2.1	1.1	157	344	640	960
420	560	130	3	1.5	733	1304	540	680
460	580	56	3	3	596	1396	670	830

tandem	Bearing Designations			Mounting Dimensions			Mass					
	Present	Original		d <sub>a</sub>	D <sub>a1</sub>	D <sub>a2</sub>		r <sub>a</sub>	r <sub>a1</sub>			
mm												
kg												
7322B/DT	7322B/DB	7322B/DF	466322	266322	366322	124	226	233	2.5	1	20.6	
	B7322AC/DB			546322		124	226	233	2.5	1	23.5	
7224C/DT	7224C/DB	7224C/DF	436224	236224	336224	132	203	208	2.1	1	10.8	
	7224AC/DT	7224AC/DB	7224AC/DF	446224	246224	346224	132	203	208	2.1	1	10.8
7224B/DT	7224B/DB	7224B/DF	466224	266224	366224	132	203	208	2.1	1	12.3	
7224B/QT			3-634			132	203	208	2.1	1	24.5	
7226AC/DB	7026TN/DBYA			246126KA			140	190	194	2	1	6.76
						146	212	214	2.5	1	14.9	
7228C/DT	7228C/DB	7228C/DF	436228	236228	336228	152	238	243	2.1	1	19.8	
4030X2DCM/P5						162		218	2.1	2.1	10.4	
7232ACM/P4DB	B7332AC/DB			546332		174	283	283	2.5	1.1	29.2	
						178	322	331	3	1.5	65.3	
4036D			4286136			192	268	273	2.1	1	20.9	
				71938AC/DF		208	242	246	3	2.1	8.9	
49/203.23D						213	266	270	2	1	13.5	
7244AC/DT	7244AC/DB	7244AC/DF	446244	246244	346244	238	382	391	3	1.5	77	
4048D						254	346	346	2.5	2.5	39.3	
4052X3D						274	355	355	2.5	2.5	39.7	
4052D/C2						290	383	374	3	1.5	60.5	
4956X3D						292	377	377	2.1	2.1	34.7	
4960X3D/C2						327	404	397	2.5	1	45.8	
4868X3D/YB2						352	388	393	2.1	1	21.6	
				71984DF	1346984K	434	546	551	2.5	1.5	105	
71892 AM/DT						476	560	564	2.5	2.5	68	

