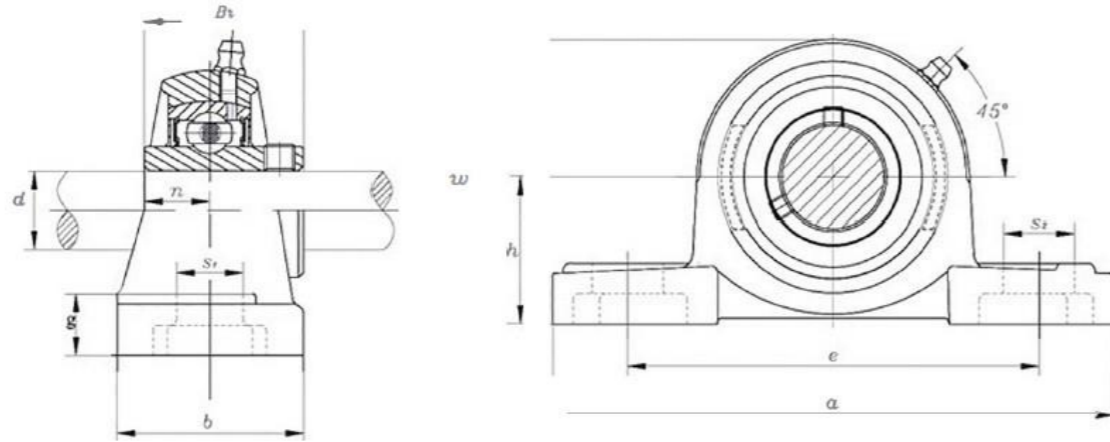


# UCP200

## Pillow Blocks

### UCP200(normal-duty)

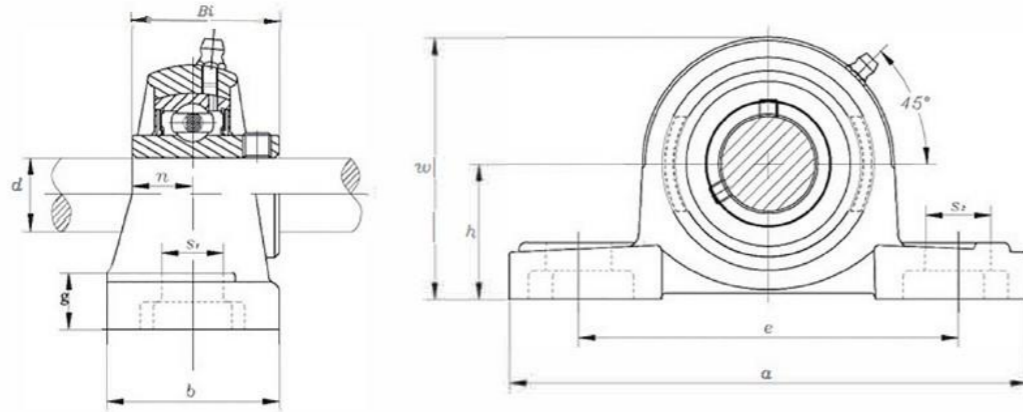


Bearing Unit No.	Shaft Día		Dimensions(mm)										Bolt Used		Bearing No.	Housing No.	Weight(kg)
	in	mm	h	a	e	b	s	s1	g	w	Bi	n	mm	in			
UCP201 201-8	1/2	12	30.2	127	96	38	19	13	15	62	31	12.7	M10	3/8	UCP201 201-8	P201	0.61
UCP202 202 10	5/8	15	30.2	127	96	38	19	13	15	62	31.0	12.7	M10	3/8	UCP202 202 10	P202	0.59
UCP203 203 11	11/16	17	30.2	127	96	38	19	13	15	62	31.0	12.7	M10	3/8	UCP203 203 11	P203	0.58
UCP204 204-12	3/4	20	33.3	127	96	38	19	13	15	65	31.0	12.7	M10	3/8	UCP204 204-12	P201	0.66
UCP205-11 205-15 205 205-16	7/8 5/16	25	36.5	110	105	38	19	13	16	70	34.1	11.3	M10	3/8	UCP205-14 205-15 205 205-16	P205	0.81
UCP206-18 206 206-19 206-20	1 1/8 1 3/16 1 1/4	30	42.9	165	121	48	21	17	18	83	38.1	15.9	M11	1/2	UCP206-18 206 206-19 206-20	P206	1.25
UCP207-20 207-21 207-22 207 207-23	1 1/4 1 5/16 1 3/8 1 7/16	35	47.6	167	126	48	21	17	19	92	42.9	17.5	M11	1/2	UCP207-20 207-21 207-22 207 207-23	P207	1.58
UCP208-21	1 1/2 1	40	19.2	181	136	54	21	17	19	98	49.2	19.0	M14	1/2	UCP208-21	P208	1.9

208-25 208	9/16														208-25 208		
UCP209-26 209-27 209-28 209	1 5/8 1 11/16 1 3/4	45	54.0	190	146	54	21	17	20	106	49.2	19.0	M14	1/2	UCP209-26 209-27 209-28 209	P209	2.14
UCP210-30 210-31 210 210-32	1 7/8 1 15/16 2	50	57.2	206	159	60	25	20	22	112	51.6	19.0	M16	5/8	UCP210-30 210-31 210 210-32	P210	2.67
UCP211-32 211-31 211 211-35	2 2 1/8 2 3/16	55	63.5	219	172	60	25	20	22	126	55.6	22.2	M16	5/8	UCP211-32 211-31 211 211-35	P211	3.3
UCP212-36 212 212-38 212-39	2 1/1 2 1/8 2 7/16	60	69.8	211	186	70	25	20	25	137	65.1	25.1	M16	5/8	UCP212-36 212 212-38 212-39	P212	4.9
UCP213-10 213	2 1/2	65	76.2	265	203	70	29	25	27	150	65.1	25.1	M20	3/4	UCP213-40 213	P213	5.1
UCP214-44 214	2 3/1	70	79.4	266	210	72	30	25	27	156	71.6	30.2	M20	3/4	UCP214-44 214	P214	6.2
UCP215 215-47 215-48	2 15/16 3	75	82.6	275	217	74	30	25	28	163	77.8	33.3	M20	3/4	UCP215 215-47 215-48	P215	7.16
LCP216 216-50	3 1/8	80	88.9	292	232	78	28	25	30	175	82.6	33.3	M20	3/4	LCP216 216-50	P216	8.1
LCP217-52 217 217-55	3 1/4 3 7/16	85	95.2	310	217	83	30	25	32	187	85.7	34.1	M20	3/4	LCP217-52 217 217-55	P217	9.81
LCP218-56 218	3 1/2	90	101.6	327	262	88	30	27	34	200	96.0	39.7	M22	7/8	LCP218-56 218	P218	12.2

# UCPX00

## Pillow Blocks UCPX00(medium-duty)



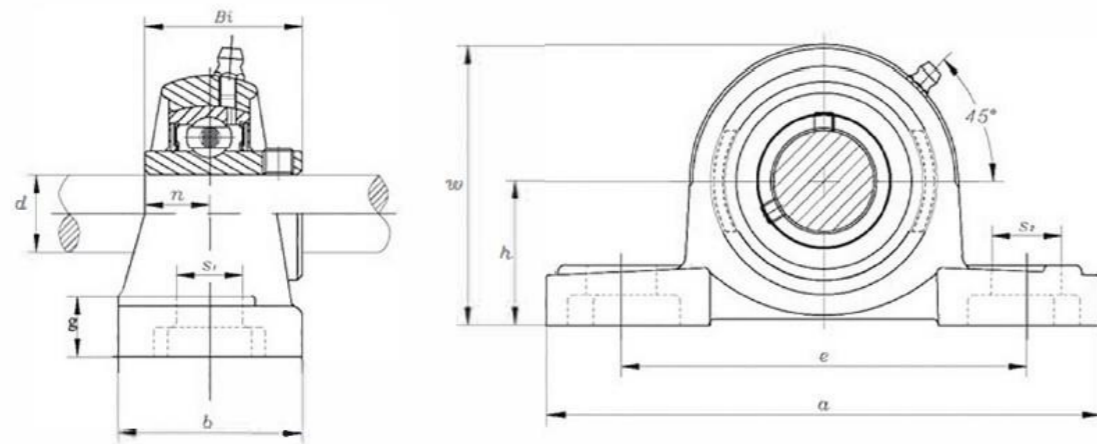
Bearing Unit No.	Shaft Dia		Dimensions(mm)										Bolt Used		Bearing No.	Housing No.	Weight(kg)
	in	mm	h	a	e	b	s	s <sub>1</sub>	g	w	Bi	n	mm	in			
UCPX05 X05-14 X05-16	7/8 1	25	44.4	159	119	51	25	17	18	85	38.1	15.9	M14	1/2	UCX05 X05-14 X05-16	PX05	1.50
UCPX06 X06-18 X06-19 X06-20	1 1/8 1 3/16 1 1/4	30	47.6	175	127	57	25	17	20	91	42.9	17.5	M11	1/2	UCX06 X06-18 X06-19 X06-20	PX06	2.00
UCPX07-20 X07-22 X07 X07-23	1 1/4 1 3/8 1 7/16	35	54.0	203	144	57	30	17	22	105	49.2	19.0	M14	1/2	UCX07-20 X07-22 X07 X07-23	PX07	2.70
UCPX08-24 X08	1 1/2	40	58.7	222	156	67	32	20	26	113	49.2	19.0	M16	5/8	UCX08-24 X08	PX08	3.50
UCPX09-26 X09-27 X09-28 X09	1 5/8 1 11/16 1 3/4	45	58.7	222	156	67	33	20	26	116	51.6	19.0	M16	5/8	UCX09-26 X09-27 X09-28 X09	PX09	3.60
UCPX10-31 X10 X10-32	1 15/16 2	50	63.5	241	171	73	36	20	27	126	55.6	22.2	M16	5/8	UCX10-31 X10 X10-32	PX10	4.40
UCPX11 X11-32 X11-35	2 2 3/16 2 1/4	55	69.8	261	184	79	36	25	30	139	65.1	25.4	M20	3/1	UCX11 X11-32 X11-35	PX11	6.30

X11-36															X11-36		
UCPX12 X12-36 X12-38 X12-39	2 1/4 2 3/8 2 7/16	60	76.2	286	203	83	41	25	32	152	65.1	25.4	M20	3/4	UCX12 X12-36 X12-38 X12-39	PX12	7.40
UCPX13-40 X14	2 1/2	65	76.2	286	203	83	41	25	32	154	74.6	30.2	M20	3/4	UCX13-40 X13	PX13	7.70
UCPX14-44 X14	2 3/4	70	88.9	330	229	89	51	27	35	17.1	77.8	33.3	M22	7/8	UCX14-44 X14	PX14	10.60
UCPX15 X15-17 X15-18	2 15/16 3	75	88.9	330	229	89	51	27	35	175	82.6	33.3	M22	7/8	UCX15 X15-47 X15-48	PX15	11.10
UCPX16 X16-50	3 1/8	80	101.6	381	283	102	59	27	42	195	85.7	34.1	M22	7/8	UCX16 X16-50	PX16	16.20
UCPX17 X17-52	3 1/4	85	101.6	381	283	102	60	27	45	200	96.0	39.7	M22	7/8	UCX17 X17-52	PX17	16.50
UCPX18-56 X18	3 1/2	90	101.6	381	283	111	60	27	45	204	104.0	42.9	M22	7/8	UCX18-56 X18	PX18	18.00
UCPX20 X20-61	4	100	127.0	432	337	121	64	33	52	215	117.5	49.2	M27	1	UCX20 X20-64	PX20	31.80

# UCP300

## Pillow Blocks

### UCP300(heavy-duty)



Bearing Unit No.	Shaft Día		Dimensions(mm)										Bolt Used		Bearing No.	Housing No.	Weight(kg)
	in	mm	h	a	e	b	s	s <sub>1</sub>	g	w	Bi	n	mm	in			
UCP305 305-14 305-16	7/8 1	25	45	175	132	45	20	17	16	85	38	15	M14	1/2	UC305 305-14 305-16	P305	1.28
UCP306-18 306 306-19	1 1/8 1 3/16	30	50	180	140	50	20	17	18	95	43	17	M14	1/2	UC306-18 306 306-19	P2306	1.72
UCP307-20 307-21 307 307-23	1 1/1 1 3/8 1 7/16	35	56	210	160	56	25	17	20	106	48	19	M14	1/2	UC307-20 307-21 307 307-23	P307	2.33
UCP308-24 308	1 1/2	40	60	220	170	60	27	17	22	116	52	19	M14	1/2	UC308-24 308	P308	3.01
UCP309-28 309	1 3/4	45	67	245	190	67	30	20	24	129	57	22	M16	5/8	UC309-28 309	P309	3.77
UCP310-31 310	1 15/16	50	75	275	212	75	35	20	27	143	61	22	M16	5/8	UC310-31 310	P310	5.47
UCP311-32 311	2	55	80	310	236	80	38	20	30	154	66	25	M16	5/8	UC311-32 311	P311	6.83
UCP312	2 1/4	60	85	330	250	85	38	25	32	165	71	26	M20	3/4	UC312	P312	8.15

312-36															312-36		
UCP313-40 313	2 1/2	65	90	340	260	90	38	25	35	176	75	30	M20	3/4	UC313-40 313	P313	9.41
UCP314-44 314	2 3/4	70	95	360	280	90	40	27	35	187	78	33	M22	7/8	UC314-44 314	P314	11.08
UCP315 315-17 315-18	2 15/16 3	75	100	380	290	100	40	27	35	198	82	32	M22	7/8	UC315 315-47 315-48	P315	13.8
UCP316 316-50	3 1/8	80	106	400	300	110	10	27	10	210	86	34	M22	7/8	UC316 316-50	P316	16.2
UCP317 317-52	3 1/4	85	112	420	320	110	45	33	40	220	96	40	M27	1	UC317 317-52	P317	19.2
UCP318-56 318	3 1/2	90	118	430	330	110	45	33	45	235	96	40	M27	1	UC318-56 318	P318	21.1
UCP319		95	125	470	360	120	50	36	45	250	103	41	M30	1 1/8	UC319	P319	28.2
LCP320 320-64	4	100	140	490	380	120	50	36	50	275	108	42	M30	1 1/8	UC320 320-64	P320	31.8
LCP322		110	150	520	100	140	55	40	50	296	117	46	M33	1 1/4	UC322	P322	43.2
LCP324		120	160	570	450	140	55	40	50	316	126	51	M33	1 1/4	UC324	P324	54.0
LCP326		130	180	600	480	140	55	40	50	355	135	54	M33	1 1/4	UC326	P326	72.1
LCP328		140	200	620	500	140	55	40	60	393	145	59	M33	1 1/4	UC328	P328	91.2